

### ■Error Amplifier ICs (SE series)

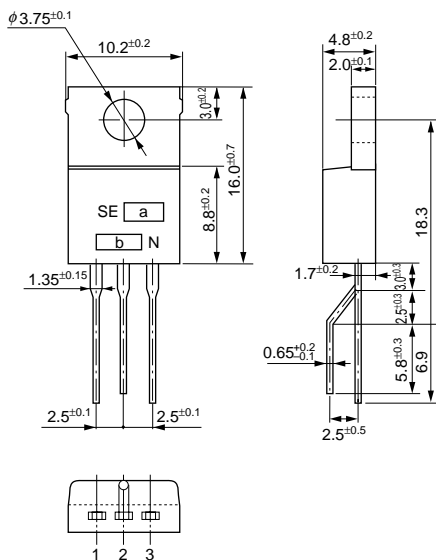
| Part No. | Absolute Maximum Ratings (Ta=25°C) |                     |                                | Electrical Characteristics (Ta=25°C) | Remarks |
|----------|------------------------------------|---------------------|--------------------------------|--------------------------------------|---------|
|          | Collector-Ground Voltage           | Collector Current   | Operating Temperature TOP (°C) | Output Detection Voltage Vs (V)      |         |
|          | V <sub>CGO</sub> (V)               | I <sub>C</sub> (mA) |                                |                                      |         |
| SE005N   | 12                                 | 20                  | -20 to +125 (Tc)               | 5.0±0.1                              | Low Vs  |
| 012N     | 50                                 |                     |                                | 12.0±0.2                             |         |
| 015N     |                                    |                     |                                | 15.0±0.2                             |         |
| 024N     |                                    |                     |                                | 24.0±0.2                             |         |
| 034N     |                                    |                     |                                | 34.0±0.3                             |         |
| 040N     |                                    |                     |                                | 40.0±0.4                             |         |
| 070N     |                                    |                     |                                | 70.2±0.8                             | High Vs |
| 080N     | 80.2±0.8                           |                     |                                |                                      |         |
| 090N     | 90.0±0.8                           |                     |                                |                                      |         |
| 105N     | 105.2±0.8                          |                     |                                |                                      |         |
| 110N     | 110.2±0.8                          |                     |                                |                                      |         |
| 115N     | 115.2±0.8                          |                     |                                |                                      |         |
| 120N     | 120.2±0.8                          |                     |                                |                                      |         |
| 125N     | 125.2±0.8                          |                     |                                |                                      |         |
| 130N     | 130.2±0.8                          |                     |                                |                                      |         |
| 135N     | 135.2±0.8                          |                     |                                |                                      |         |
| 140N     | 141.2±0.8                          |                     |                                |                                      |         |

### ■Variable Voltage Detection Type Error Amplifier ICs

| Part No. | Absolute Maximum Ratings (Ta=25°C) |                     |                                | Electrical Characteristics (Ta=25°C)  | Remarks  |
|----------|------------------------------------|---------------------|--------------------------------|---|--|
|          | Collector-Ground Voltage           | Collector Current   | Operating Temperature TOP (°C) | Output Detection Voltage Vs (V)   |  |
|          | V <sub>CGO</sub> (V)               | I <sub>C</sub> (mA) |                                |   |  |
| SE-B3    | 150                                | 20                  | -20 to +125 (Tc)               | 141.2±0.6<br>Condition<br>(I <sub>IN</sub> =4mA, R <sub>C</sub> =9.1kΩ<br>R <sub>S</sub> =88.7kΩ) | Variable voltage detection<br>Gain adjustment possible |

### ■External Dimensions

(unit: mm)



a. Part Number  
b. Lot Number

Forming No.12